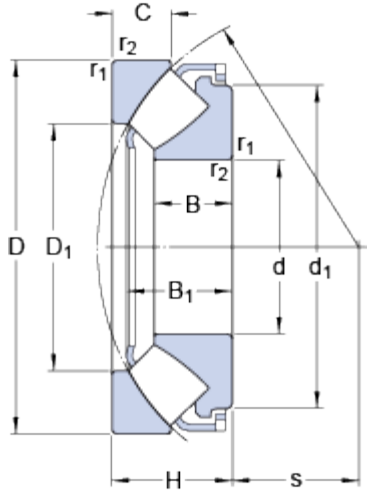


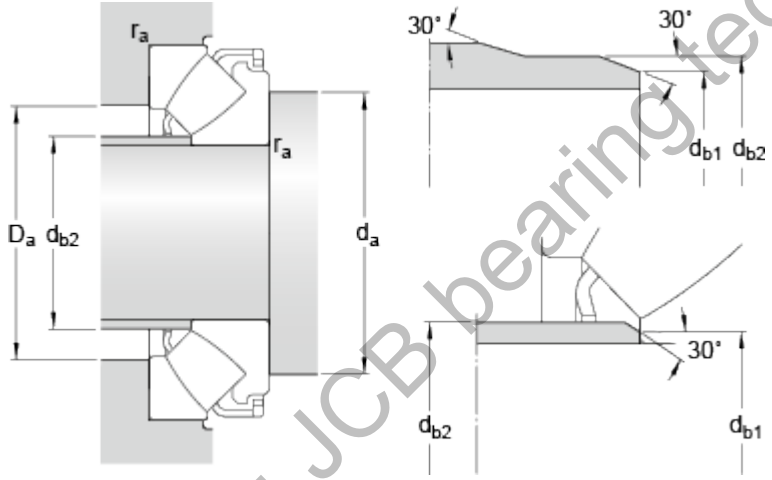
▶
29332

Dimensions



d	160	mm
D	270	mm
H	67	mm
d ₁	≈ 243	mm
D ₁	≈ 203	mm
B	42	mm
B ₁	60	mm
C	33	mm
s	92	mm
r _{1,2}	min. 3	mm

Abutment dimensions



d _a	min. 210	mm
d _{b1}	max. 169	mm
d _{b2}	max. 176	mm
D _a	max. 235	mm
r _a	max. 2.5	mm

Calculation data

Basic dynamic load rating	C	1180	kN
Basic static load rating	C ₀	3450	kN
Fatigue load limit	P _u	375	kN
Reference speed		1300	r/min
Limiting speed		2200	r/min
Minimum axial load factor	A	1.1	

Mass

Mass bearing		14.5	kg
--------------	--	------	----